

24 Volt 3-phase AC technology

Ergonomic design and controls help ensure greater productivity throughout the entire shift

Features and options for a variety of applications, including order picking, long distance transporting and loading / unloading trailers



ECR 327/336

Electric End Rider Pallet Truck (2,700/3,600 kg)

The ECR 327 / 336 electric end rider pallet truck was designed for productivity – giving you the advantage to get more done in less time.

The key advantages:

- Quick acceleration

The ECR Series has exceptional acceleration. Not only can operators rapidly obtain maximum speed, but can do so with smooth and precise control due to the proprietary controller and optimal programming.

- Speed

The ECR is the fastest end rider in the industry, achieving speeds up to 15 km/h.

- Smooth directional changes

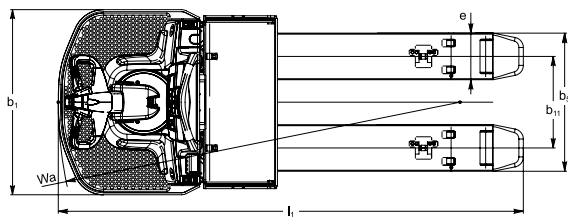
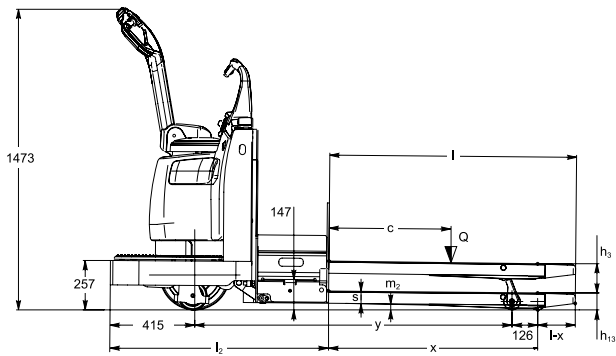
The incredibly responsive regenerative braking system provides a seamless transition from one direction to another, while maintaining load stability. This feature can be particularly valuable when engaging in frequent directional changes which can lead to tremendous gains in

productivity.

- Strong gradeability performance on inclines

The ECR Series achieves high levels of performance and control on slopes. This is accomplished through our proprietary Jungheinrich-built motor and high output controller which were designed to meet the application demands of the ECR. This level of performance supports your operators in moving more pallets in less time.

ECR 327/336



Fork length-dependent dimensions ECR 327/336

Capacity Q	Fork length l	Fork overhang	Overall length l ₁	Wheelbase y	Turning radius W _a	Load distance x	Working aisle width Ast
(t)	(mm)	(mm)	(mm)	(mm)	(mm)	(mm)	(mm)
2.7	907	185	1981	1255	1679	719	2592
	1059	185	2133	1407	1829	871	2645
	1212	185	2286	1562	1981	1024	2725
	1514	185	2588	1864	2283	1328	3003
	1694	185	2768	2042	2462	1506	3245
	1821	185	2895	2169	2588	1633	3483
	2126	594	3200	2067	2487	1532	3284
	2355	823	3429	2067	2487	1532	3726
3.6	2431	899	3505	2076	2487	1532	3726
	907	185	1981	1255	1679	719	2592
	1059	185	2133	1407	1829	871	2645
	1212	185	2286	1562	1981	1024	2725
	1514	185	2588	1864	2283	1328	3003
	2126	594	3200	2067	2487	1532	3284
	2355	823	3429	2067	2487	1532	3726
	2431	899	3505	2067	2487	1532	3726
	2609	1077	3683	2067	2487	1532	3726
3645	1407	4719	2774	3193	2283	4900	

Technical data in line with VDI 2198

				Jungheinrich		
				ECR 327	ECR 336	
Identification	1.1	Manufacturer (short form)				
	1.2	Model				
	1.3	Drive		Electrics		
	1.5	Load capacity/rated load	Q	t	2.7	3.6
	1.6	Load centre distance	c	mm	600	1200
	1.8	Load distance	x	mm	1024 ¹⁾	1532 ¹⁾
	1.9	Wheelbase	y	mm	1560 ¹⁾	2068 ¹⁾
Weights	2.1.1	Net weight incl. battery (see row 6.5)		kg		
	2.2	Axle load, w. load, front / rear		kg		
	2.3	Axle load, w.o. load, front / rear		kg		
Wheels / chassis	3.1	Tyres		PU		
	3.2	Tyre size, at front		Ø 305 x 127		
	3.3	Tyre size, at rear		Ø 83 x 160		
	3.4	Additional wheels (dimensions)		Ø 101 x 63		
	3.5	Wheels, number front/rear (x = driven wheels)		1x+2 /2 or 4		
	3.7	Track width, rear	b ₁₁	mm	450	
	Basic dimensions	4.4	Lift		h ₃ mm	
4.15		Lowered height		h ₁₃ mm		
4.19		Overall length		l ₁ mm		
4.20		Length incl. back of forks		l ₂ mm		
4.21		Total width		b ₁ /b ₂ mm		
4.22		Fork dimensions		s/e/l mm		
4.25		Width over forks		b ₅ mm		
4.32		Floor clearance centre wheelbase		m ₂ mm		
4.35	Turning radius		W _a mm			
Performance data	5.1	Travel speed, w. / w.o. load		km/h		
	5.2	Lift speed, w. / w.o. load		m/s		
	5.8	Max. gradeability, laden/unladen		%		
	5.10	Service brake		regenerative		
	5.11	parking brake		electromagnetic		
	Electrics	6.1	Drive motor rating S2 60 min.		kW	
6.2		Lift motor rating at S3 10%		kW		
6.4		Battery voltage/nominal capacity K5		V/Ah		
6.5.1		Battery weight (minimum)		kg		
6.5.2		Battery weight (maximum)		kg		
Misc.		8.1	Type of drive control		AC SpeedControl	

¹⁾ Load section lowered + 126 mm

²⁾ Other battery capacities available

Benefit from the advantages



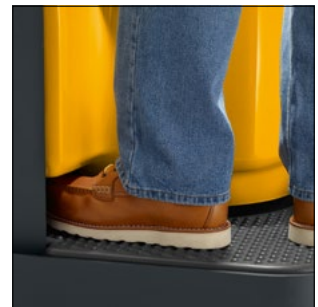
Optional ProTraLink caster



Ergonomic tiller



Strong forks



Standing platform

Electromagnetic brake

Unlike traditional mechanical brakes which require regular maintenance, the ECR Series electromagnetic brake requires limited servicing.

Advanced regenerative braking

At Jungheinrich, we took our brake design one step further. The regenerative braking system engages first, slowing the truck during coasting, plugging and braking, before the brake is ever applied – further protecting it from wear.

Adjustable casters

Castors are one of the most frequently serviced parts on any end rider. But, the ECR allows for automatic caster adjustment, without having to raise the truck, saving time and money.

Simplified pull rod adjustment

Unlike traditional designs, the ECR utilizes jam nuts to adjust the pull rods – not only allowing for simplified (one tool) adjustment – but also requiring less maintenance over time.

Thickest forks in the industry

Our formed forks are the thickest in the industry. Combined with cast steel fork tips, they are designed to withstand abusive environments.

Harsh and corrosive environments

For those extra harsh environments, a corrosion protection package is available which includes the following galvanised components:

- chassis
- pull rods
- load wheel linkage
- lift linkage

- forks

Motor cover

Steel is not always the best material for the job. The motor cover is made of a heavy duty Thermoplastic PolyOlefin (TPO) plastic which is significantly lighter than steel, resulting in easier removal during maintenance. The cover is also less prone to cracking, and it will not dent upon contact. More flexible than steel, it also helps to provide greater operator comfort.

More surface area

The operator platform has a spacious surface area, giving your operators the ability to comfortably adjust their position throughout the day. In addition, the "foot alcove" allows for a wider stance and helps to ensure your operators' feet are fully on the platform.

Jungheinrich UK Ltd.

Head Office:
Sherbourne House
Sherbourne Drive
Tilbrook
Milton Keynes MK7 8HX
Telephone 01908 363100
Fax 01908 363180

info@jungheinrich.co.uk
www.jungheinrich.co.uk


Machines. Ideas. Solutions.